

# Brilas

Neat and compact, the **Brilas** LED bulkhead utilises an IP65 rated polycarbonate base and lens specifically designed to maximise the distribution from the enclosed 16 high output white LEDs and appropriate drive circuit.

The **Brilas** is available with a 'hanging blade' exit sign legend panel or self-adhesive legends.

The luminaires have been tested and BSI Kitemark Certified to EN60598.2.22 and they are also Certified by United Arab Emirates Ministry of Interior Civil Defense GHQ.

## OPERATION

The attractively designed **Brilas** bulkhead offers >150Lumen LED output with a distribution to ensure maximum between luminaires.

The **Brilas** luminaires are available with mains only or Maintained emergency operation (non-Maintained operation achieved by excluding a switched live supply). All emergency versions provide 3 hour duration from integral Nickel Cadmium (NiCd) batteries.

**NOTE:** Lithium Iron Phosphate (LiFePO<sub>4</sub>) versions are available upon request.

Maintained versions can be used for standard switched mains lighting but will automatically provide emergency lighting in the event of a complete loss of normal mains supply.

## DALI/Self-Test Options:

The **Brilas** luminaires can be specified with integral DALI/Self-Test gear providing automatic Self-Test in accordance with BSEN62034 or fully interoperable DALI operation when connected to a DALI control system.

**NOTE:** **Brilas** luminaires can be equipped with **SurePath BLE** Bluetooth addressable Gateway modules. [See Data Sheet.](#)



BR/M3



BR/M3/BLD/ISOAU



## GENERAL DETAILS

|                       |  |
|-----------------------|--|
| Product               | LED Bulkhead and Exit Sign                                     |
| Light source          | 16 x white LEDs  |
| Luminaire Lumens      | >150lm (max. without sign legend)                              |
| Sign viewing distance | 20m (/BLD)   |
| Construction          | White polycarbonate base and optical grade, UV stabilised lens |
| Geartray              | Hinged white plastic   |
| Dimensions            | 240mm (L) x 130mm (W) x 50mm (H)                               |
| Cable Entry           | Drilling points in both ends and back                          |

**Emergency Lighting Products Limited**  
 Parbrook House, Cillmans Industrial Estate,  
 Natts Lane Billingshurst, West Sussex RH14 9EZ

Telephone: +44 (0) 1403 786601  
 Fax: +44 (0) 1403 786602  
 e-mail: sales@elp.uk.com

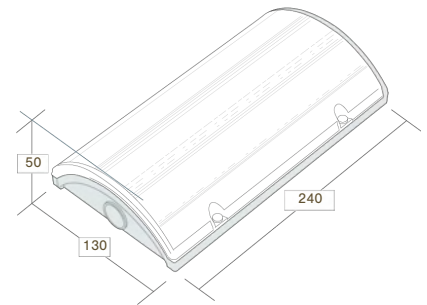
**Safe in the knowledge**  
**elp.uk.com**

**IP65 Bulkhead and Exit Sign Luminaire**

# Brilas

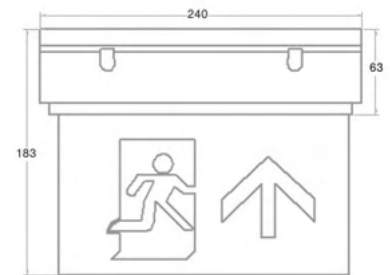
## SPECIFICATION

|                          | Maintained          | Mains only |
|--------------------------|---------------------|------------|
| Light source             | 16 x white LEDs     |            |
| Colour temperature       | 4500K               |            |
| Luminaire lumens (mains) | 150lm               | 150lm      |
| Lumens (emergency)       | 150lm               | —          |
| IP rating                | IP65                |            |
| Ambient temperature (Ta) | 0°C to 25°C         |            |
| Insulation class         | Class II            |            |
| Supply voltage           | 230V ~ 50Hz         |            |
| Supply power             | 3.0W                | 1.7W       |
| Charge power (typical)   | 1.2W                | —          |
| Battery                  | 1 x 3.6V 1.5Ah NiCd | —          |
| Weight                   | 1.0kg               | 0.8kg      |



### BRILAS – Emergency spacings (White base/clear lens)

| Mounting height Hm (m) | Trans. to wall | Trans. to trans. | Axial to trans. | Axial to axial | Axial to wall |              |
|------------------------|----------------|------------------|-----------------|----------------|---------------|--------------|
| 2.5                    | 3.0            | 7.8              | 7.2             | 6.8            | 2.0           | 1 Lux min.   |
| 4.0                    | 2.4            | 8.2              | 7.6             | 6.2            | 1.4           | at centre    |
| 2.5                    | 5.1            | 9.8              | 9.2             | 6.5            | 2.6           | 0.5 Lux min. |
| 4.0                    | 4.4            | 10.0             | 9.8             | 6.0            | 2.2           | (open)       |



### ORDER CODES

### Description

|                             |   |
|-----------------------------|---|
| <b>BR/M3</b>                | Maintained 3-hour emergency bulkhead luminaire        |
| <b>BR/M3/DA</b>             | Maintained 3-hour DALI emergency bulkhead luminaire   |
| <b>BR/230</b>               | Mains only bulkhead luminaire                         |
| <b>BR/230D</b>              | DALI version Mains only bulkhead luminaire            |
| OPTIONS:                    | <b>/BLE</b> Wireless DALI emergency                   |
| BLADE EXIT LEGEND OPTIONS:  | <b>/BLD</b> Hanging blade lens and Exit legend option |
|                             | <b>/ECAL-R</b> EC format – Arrow Left/Right           |
|                             | <b>/ECAD</b> EC format – Arrow Down                   |
|                             | <b>/ISOAL-R</b> ISO format – Arrow Left/Right         |
|                             | <b>/ISOAD</b> ISO format – Arrow Down                 |
|                             | <b>/ISOAU</b> ISO format – Arrow Up                   |
| SELF-ADHESIVE EXIT LEGENDS: | <b>/BR/LEG/ECAR</b> EC format – Arrow Left            |
|                             | <b>/BR/LEG/ECAL</b> EC format – Arrow Right           |
|                             | <b>/BR/LEG/ECAD</b> EC format – Arrow Down            |
|                             | <b>/BR/LEG/ISOAR</b> ISO format – Arrow Right         |
|                             | <b>/BR/LEG/ISOAL</b> ISO format – Arrow Left          |
|                             | <b>/BR/LEG/ISOAD</b> ISO format – Arrow Down          |
|                             | <b>/BR/LEG/ISOAU</b> ISO format – Arrow Up            |

**NB:** Contact our Sales Office regarding optional LiFePO4 versions

**Emergency Lighting Products Limited**  
 Parbrook House, Cillmans Industrial Estate,  
 Natts Lane Billingshurst, West Sussex RH14 9EZ

Telephone: +44 (0) 1403 786601  
 Fax: +44 (0) 1403 786602  
 e-mail: sales@elp.uk.com

**Safe in the knowledge**