

IP64 Slim Bulkhead and Exit Sign Luminaires

Finesse

Surface/Recessed LED slim bulkhead

The **Finesse** range offers an attractive, slim, IP rated enclosure suitable for semi-flush or surface mounting with white LED light sources. The **Finesse** luminaires utilise a polycarbonate body and lens with linear prisms providing wide intensity distribution.

Finesse luminaires are available with an alternative lens which has a slot retaining an injection moulded legend blade.

OPERATION

The **Finesse** LED luminaires are available with Non-Maintained, Maintained or mains only operation. (Non-maintained operation is available by excluding a switched live supply).

All emergency versions provide 3 hour duration as standard from integral high temp. Nickel Cadmium batteries. Maintained versions can be used for standard switched mains lighting but will automatically provide emergency lighting in the event of a complete loss of normal mains supply.

Finesse luminaires can be semi-recessed mounted using the FI/RB kit. The hanging blade exit panels require a different lens to the plain version which reduces the IP rating to IP21.

The benefits of the modern white low power LEDs include long life (typically 50,000hours+), excellent energy efficiency (>100lm/W), low operating temperatures therefore improving the life of the internal Nickel Cadmium (NiCd) batteries and good operation at low ambient temperatures.

NOTE: **Finesse** luminaires can be equipped with **SurePath BLE** Bluetooth addressable Gateway modules. *See Data Sheet.*

The luminaires have been tested and BSI Kitemark Certified to EN60598.2.22 and they are also Certified by UAE Ministry of Interior Civil Defense GHQ.

DALI/Self-Test Options:

The **Finesse** LED luminaires can be specified with integral DALI/Self-Test gear providing automatic Self-Test in accordance with BSEN62034 or fully interoperable DALI operation when connected to a DALI control system.

The **Finesse** luminaires can also be specified with DALI control mains drivers or both DALI mains and DALI Maintained emergency.



FID/M3/RB

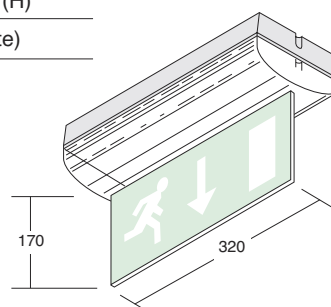
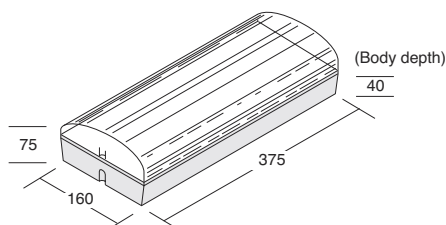


FIDE/M3



GENERAL DETAILS

Product	Bulkhead and Exit Sign
Light source	16 x white LEDs (CRI >70)
Luminaire Lumens	>160lm
Sign viewing distance	34m (BLD)
Construction	Polycarbonate base with optical grade, UV stabilised linear prism lens
Geartray	Hinged white painted steel
Dimensions	375mm (L) x 160mm (W) x 75mm (H)
Cable entry	20mm drilling points (polycarbonate)



FIDE/M3/FI/BLD/ISOAR

IP64 Slim Bulkhead and Exit Sign Luminaires

SPECIFICATION

	Maintained	Mains only
Light source	16 x white LEDs (CRI >70)	
Colour temperature	4500K	
Luminaire lumens (mains)	>160lm	>160lm
Lumens (emergency)	>160lm	—
IP rating	IP64 (IP21 for Blade Exit)	
Ambient temperature (Ta)	25°C	
Insulation class	Class II	
Supply voltage	230V ~ 50Hz	
Supply power	3.0W	1.7W
Charge power (typical)	1.2W	—
Battery	3.6V 1.5Ah NiCd	—
Weight	1.5kg	1.4kg

FINESSE — Emergency spacing (White Base/Clear Lens)

Mounting height Hm (m)	Trans. to wall	Trans. to trans.	Axial to trans.	Axial to axial	Axial to wall	
2.5	2.0	6.9	6.1	3.6	1.1	1 Lux min. at centre
4.0	1.5	5.7	5.3	3.4	0.5	
2.5	3.4	9.7	8.0	5.2	1.7	0.5 Lux min. (open)
4.0	2.5	9.5	7.8	5.0	1.0	

ORDER CODES

Description

FID/M3	Maintained emergency slim polycarbonate bulkhead + lens
FID/M3D	Maintained DALI emergency slim polycarbonate bulkhead + lens
FID/230	Mains only slim polycarbonate bulkhead + lens
FID/230D	DALI Mains only slim polycarbonate bulkhead + lens
FIDE/M3	Maintained emergency polycarbonate bulkhead + blade exit legend
FIDE/M3D	Maintained DALI emergency polycarbonate bulkhead + blade exit legend
FIDE/230	Mains only polycarbonate bulkhead + blade exit legend
FIDE/230D	DALI Mains only polycarbonate bulkhead + blade exit legend
OPTIONS:	/RB/KIT Semi-recessing kit
BLADE EXIT LEGENDS:	/BLD/ECAR EC format — Arrow Right/Left
	/BLD/ECAD EC format — Arrow Down
	/BLD/ISOAR ISO format — Arrow Right/Left
	/BLD/ISOAU ISO format — Arrow Up
	/BLD/ISOAD ISO format — Arrow Down

SELF-ADHESIVE EXIT LEGENDS:

F/LEG/KIT/EC	EC format self-adhesive kit
F/LEG/KIT/ISO	ISO format Self-adhesive kit

NB: Contact our Sales Office regarding optional LiFePO4 versions

Emergency Lighting Products Limited

Parbrook House, Gillmans Industrial Estate, Natts Lane Billingshurst, West Sussex RH14 9EZ

Telephone: +44 (0) 1403 786601 Fax: +44 (0) 1403 786602 e-mail:sales@elp.uk.com www.elp.uk.com

All details and specifications shown in this document are deemed correct at time of publication. The right to modify equipment, change specifications and instructions without notice, is reserved as part of the Emergency Lighting Products Limited policy of continuous development and improvement. We endeavour to keep all our customers informed of any alterations as and when they occur.