

Circular Luminaires

Nautilus 2

The **Nautilus 2** range offers decorative surface mounted circular luminaires incorporating high output white LEDs within a 'sealed' polycarbonate light source enclosure minimising loss of efficacy due to dirt.

The mains driver and emergency lighting gear is installed in the back of the housing away from internal heat sources. The main luminaire housing is installed by twisting on to the first fix ring.

The **Nautilus 2** range offers an exceptional opportunity to design contemporary lighting installations with aesthetic luminaires specifically designed to offer mains only or maintained emergency lighting with integral Micro-Wave presence detectors for switching the mains operation where required.

Nautilus 2 luminaires comply with EN60598.

OPERATION

Standard **Nautilus 2** luminaires provide 2040 Luminaire Lumens at 23Watts (89lm/W).

The luminaires are available with standard mains drivers or DALI mains drivers and with integral 3hour duration Maintained emergency gear, again with the choice of standard or DALI/Self-Test operation. Mains and emergency versions may be specified with an integral Micro-Wave presence detector to switch the mains lighting. Sensitivity, 'on' time and ambient light levels can be selected during installation.

The emergency lighting versions utilise integral high temperature Nickel Cadmium batteries. Maintained versions can be used for standard switched mains lighting but will automatically provide emergency lighting in the event of a complete loss of normal mains

DALI/Self-Test Options:

Nautilus 2 luminaires can be standard mains/standard emergency; DALI mains/standard emergency; standard mains/DALI emergency or DALI mains/DALI emergency.

Please specify as required.



Self  Test

GENERAL DETAILS

| | |
|--------------|---|
| Product | Decorative circular luminaire |
| Light source | White LEDs (3480lm) |
| Construction | Polycarbonate housing Steel first fix ring |
| Geartray | Back of main housing |
| Dimensions | 360mm dia. (max) x 65mm (H) |
| Cable entry | Through first fix ring |



NT2/M3/WH



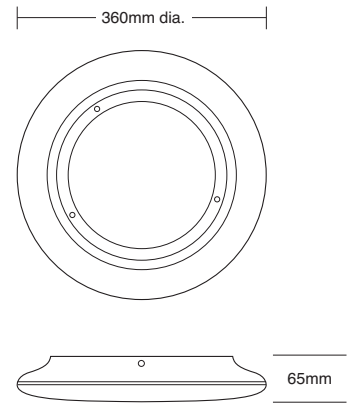
All details and specifications shown in this document are deemed correct at time of publication. The right to modify equipment, change specifications and instructions without notice, is reserved as part of the Emergency Lighting Products Limited policy of continuous development and improvement. We endeavour to keep all our customers informed of any alterations as and when they occur.



Circular Luminaires

SPECIFICATION

| | Maintained | Mains only |
|------------------------------|---------------------------------|------------|
| Light source | Surface mount White LEDs 3480lm | |
| Colour temperature | 4500K | |
| Luminaire lumens (mains) | 2040lm | 2040lm |
| Luminaire lumens (emergency) | 230lm | — |
| IP Rating | IP20 | |
| Ambient temperature (Ta) | 25°C | |
| Insulation class | Class II | |
| Supply voltage | 230V~50Hz | |
| Supply power | 25W | 23W |
| Charge power (typical) | 1.6W | — |
| Battery | 1x6.0V 2.0Ah NiCd | — |
| Weight | 3.5kg | 2.6kg |



NAUTILUS 2 — Emergency Lighting Spacings

| | Mounting height Hm (m) | Fitting to Wall | Fitting to Fitting | |
|---|---------------------------|-----------------|--------------------|------------------------|
| Nautilus 2 operating in emergency mode | 2.5 | 4.7 | 11.2 | 1 Lux min at centre |
| | 4.0 | 5.0 | 12.9 | |
| | 2.5 | 5.7 | 12.2 | 0.5 Lux min (open) |
| | 4.0 | 6.0 | 13.6 | |



| ORDER CODES | Description |
|------------------------|--|
| NT2/M3/WH | 360mm dia. 'standard' Mains and 'standard' emergency luminaire |
| NT2/230/WH | 360mm dia. 'standard' Mains only luminaire |
| NT2/M3D/WH | 360mm dia. 'standard' Mains and 'DALI Self-Test' emergency luminaire |
| NT2/230D/WH | 360mm dia. 'DALI' Mains only luminaire |
| NT2/230D/M3/WH | 360mm dia. 'DALI' Mains and 'standard' emergency luminaire |
| NT2/230D/M3D/WH | 360mm dia. 'DALI' Mains and 'DALI Self-Test' emergency luminaire |

OPTIONS:

/MW Integral Micro-Wave presence detector

NB: Contact our Sales Office regarding optional LiFePO₄ versions

Emergency Lighting Products Limited

Parbrook House, Gillmans Industrial Estate, Natts Lane Billingshurst, West Sussex RH14 9EZ

Telephone: +44 (0) 1403 786601 Fax: +44 (0) 1403 786602 e-mail:sales@elp.uk.com www.elp.uk.com

NAUTILUS2DS-11-21

